

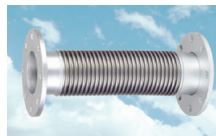
Silencers



Dual Inlet Silencers



Emission Control/SCR Systems



Connectors



Insulation Blankets



Vibration Isolation



Exhaust Accessories

Standard or Custom systems

Ask us to design
and manufacture your
next exhaust project



6659 Ordan Drive, Mississauga
Ontario, Canada L5T 1K6

Phone 905 612 4000

Toll Free: 800 387 7818

Fax: 905 612 8999

Email: info@silex.com

Web: www.silex.com

Designing and manufacturing
exhaust systems for diesel and
natural gas engines and other
industrial applications

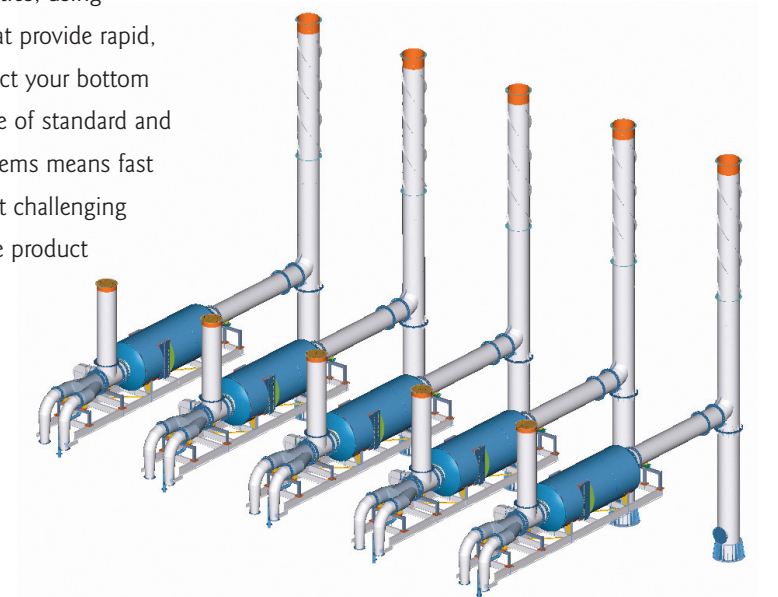


Delivering:
design performance
product quality
customer satisfaction

Silex manufactures and direct markets its silencers and exhaust accessories to provide you with design performance, product quality and customer satisfaction. These commitments are backed up by a promise of continual product development and the best support tools that will assist in improving your products and market position.

Silex provides solutions which are manufactured in our own facilities, using advanced engineering tools that provide rapid, cost-effective results that protect your bottom line. Our extensive product line of standard and high performance exhaust systems means fast turn around even for your most challenging applications. Combining these product options with superior quality, competitive pricing, and responsive customer service makes Silex tough to beat.

Silex is the only manufacturer in the industry that provides comprehensive pre-engineered exhaust systems for the majority of generators from many of the leading engine manufacturers. These online manuals are ideal for the engineer tasked with the responsibility for the selection, quotation, design and layout of the generator set and exhaust system. A great tool to save you time and money.

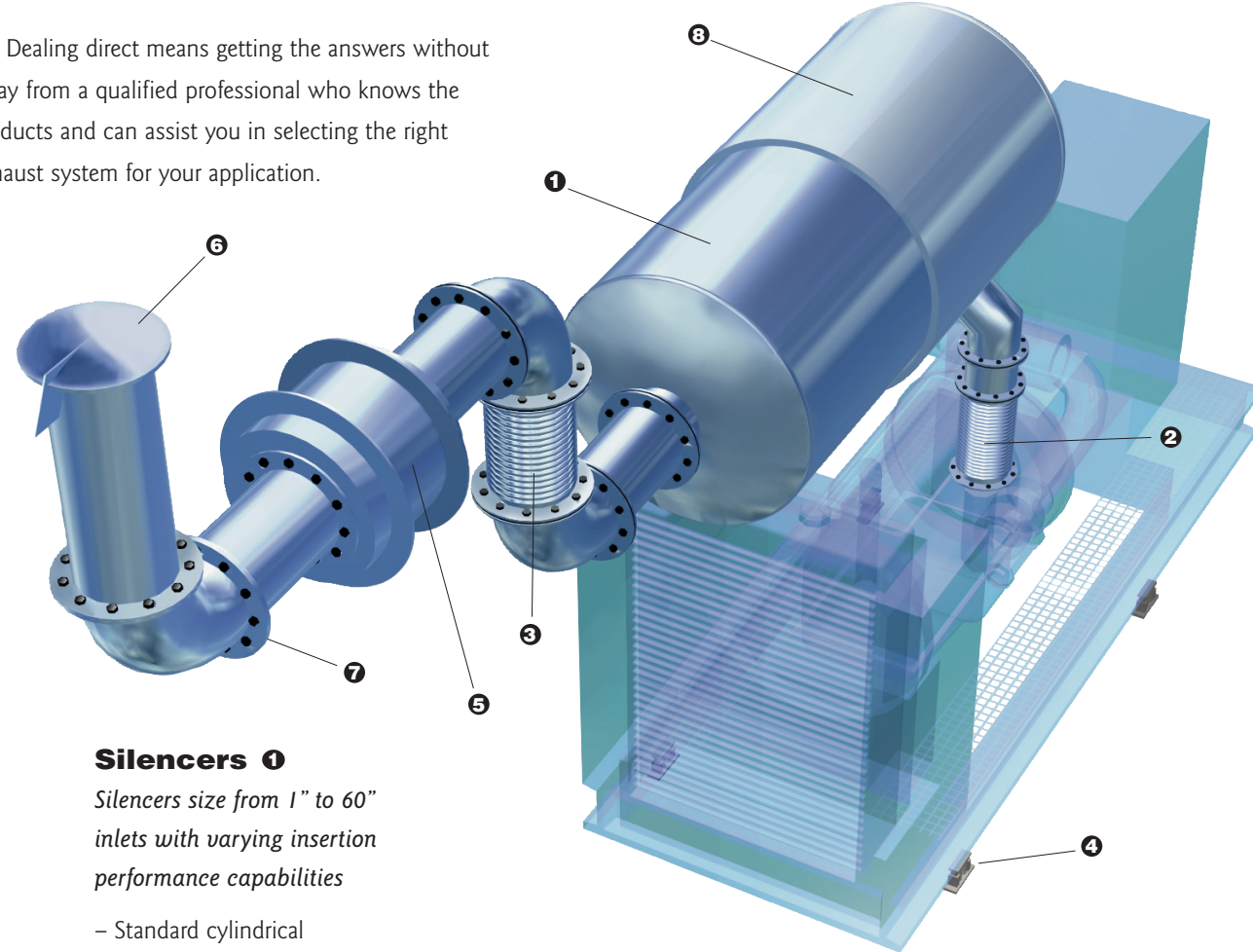


800 387 7818
www.silex.com

i n n o v a t i o n s

Deal direct with **Silex Innovations**

Dealing direct means getting the answers without delay from a qualified professional who knows the products and can assist you in selecting the right exhaust system for your application.



Silencers ①

Silencers size from 1" to 60" inlets with varying insertion performance capabilities

- Standard cylindrical
- Dual inlet
- Hockey Puck
- Power Puck
- Catalytic
- Spark Arrestor
- Low Pressure Drop
- Low Profile
- Custom

Connectors

Most installations require that all piping to and from the engine be supplied with connectors to absorb vibrations.

- Flex connector ②
- Expansion joint ③
- Wye Connectors
- Water and fuel flex

Vibration Isolators ④

Designed to isolate engine and gen-set vibration from buildings and structures.

- Single Spring
- Dual Spring
- Seismic

Accessories

Silex offers a broad range of accessories to complete your exhaust system

- Wall/Roof Thimble ⑤
- Rain cap ⑥
- Exhaust piping
- Flanges, Gaskets, Hardware kits ⑦
- Mounting/Hanging Bands

Insulation Blankets ④

Designed to reduce ambient temperature, assist in noise control and protect personnel

- Silencer blanket ⑧
- Engine manifold and turbo blankets
- Exhaust connector and accessories blankets

products

Silex

capabilities

Customer Service commitment to the highest standard of ethics and performance.

Bottom Line Cost-Effectiveness made possible by use of in-house engineering and manufacturing capabilities instead of costly and time-consuming outsourcing.

Practical experience in the broadest conceivable range of exhaust products designed for your applications.

Engineering Teams that combine in-house experience with leading-edge technologies such as 3-D modelling with Pro-Engineer.

Advanced Acoustic Modeling that minimizes your cost to develop customized solutions with tools such as Statistical Energy Analysis (SEA) and Finite Element Analysis (FEA)

Rapid Prototyping when new solutions have to be developed that provide customers with speedy results that avoid delays in new-product introductions.

In-house Manufacturing of all components to meet customers' simplest or most sophisticated requirements.

Information Access available online through detailed engineering manuals of exhaust system components for leading OEM manufacturers.

Quality Assurance standards that are second to none.

project highlights



Silex designed and manufactured the complete exhaust system for Distributed Generation projects. Systems include catalytic oxidation silencers, expansion joints, exhaust stack, structural supports, ventilation fan, rupture disks and all system accessories.



Supplied the exhaust silencers for compressor modules of FPSO ships.



Designed and supplied the exhaust silencers for the generator used in the armored personnel carrier built by QDLS for the Canadian, USA and Australian Armed Forces.



Designed and manufactured the exhaust systems for the Power Modules and genset packagers.



Supplied the exhaust silencers for ships.