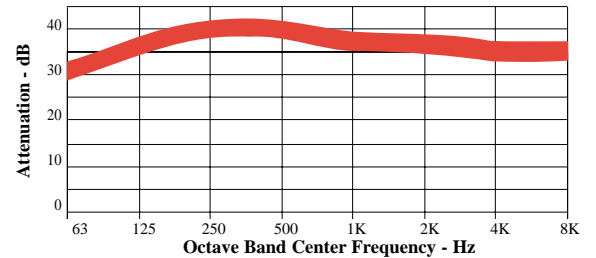


Positive Displacement Blower Silencers

Application

This combination reactive/ absorptive silencer is used typically on the discharge of positive displacement blowers in applications where the blower operates above the critical PLV or when the noise level criteria of the blower is stringent.

Typical Attenuation Curve

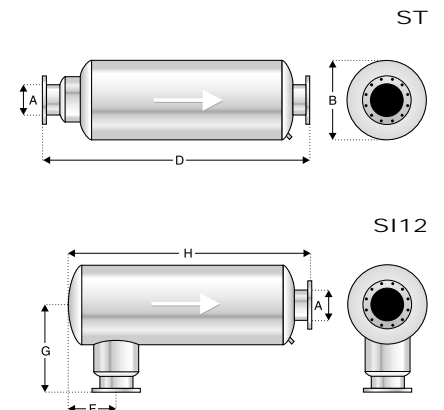


Dimensions

Model	A	B	D	F	G	H	Wt.
410-7301*	1½	9	36	6	7½	30	91
410-7302*	2	10	40	7½	9	37	105
410-7303*	2½	12	46	8½	10	43	121
410-7304*	3	14	50	10	11	47	158
410-7305*	3½	16	54	11	12	51	186
410-7306	4	18	64	11	13	60	242
410-7307	5	22	72	13	16	68	381
410-7308	6	26	85	15	17	81	515
410-7309	8	30	103	17	19	99	776
410-7310	10	36	118	19	23	114	1111
410-7311	12	36	142	20	23	138	1465
410-7312	14	40	145	22	25	140	1778
410-7313	16	45	164	25	28	159	2220
410-7314	18	50	188	27	30	183	2999
410-7315	20	54	217	28	32	212	3717
410-7316	22	60	230	30	35	225	4695
410-7317	24	64	258	34	38	253	5638
410-7318	26	68	283	35	40	278	6563
410-7319	28	72	315	37	42	310	7719
410-7320	30	78	326	40	46	321	8708

Performance Class Rating

Class	Minimum IL _A
1	10 dBA
2	15 dBA
3	20 dBA
4	25 dBA
5	30 dBA
6	35 dBA
7	40 dBA
8	45 dBA



*NPT Connections
Finish-Primer Gray
All flange connections - 150# ANSI

Dimensions in inches, weight in pounds.

Dimensions and weights are nominal and may vary slightly in production models.
Request a certified drawing of a specific model for exact dimensions.

Lit-0097 99-05

Silencer Selection Guide

The following information will enable you to determine the appropriate silencers for your blower application.

Silencer Size

Table 1 provides the normal capacity of Silex silencers, in CFM. The sizes in Column 1 refer to the inlet sizes of silencers, in inches. Capacities are expressed in inlet CFM. Find the column which is equal to or greater than the operating pressure of your blower and then, from that column, find the value which is equal to or greater than the blower's CFM. The appropriate size is the value shown in column 1 of the table.

Calculate the back pressure of your blower using table 3 and formula at right

Table 1

		Capacity (Inlet CFM 14.7 PSI & °F)					
Size	Inlet Silencer	Discharge Silencer					
		4 PSIG	6 PSIG	8 PSIG	10 PSIG	12 PSIG	15 PSIG
1	38	39	40	41	43	44	45
1.5	85	88	91	93	96	98	101
2	151	157	161	165	171	174	180
2.5	237	245	252	259	267	273	281
3	341	352	363	372	383	392	404
3.5	464	480	494	507	523	534	550
4	605	625	644	660	681	696	716
5	944	977	1006	1032	1064	1088	1120
6	1360	1408	1450	1488	1534	1568	1614
8	2423	2507	2582	2649	2731	2792	2874
10	3783	3915	4032	4137	4265	4360	4488
12	5449	5639	5808	5959	6143	6280	6464
14	7427	7687	7917	8123	8373	8560	8811
16	9648	9985	10285	10552	10878	11120	11446
18	12286	12715	13096	13437	13851	14160	14575
20	15132	15661	16130	16550	17060	17440	17952
22	18325	18965	19533	20042	20660	21120	21740
24	21796	22557	23233	23838	24573	25120	25857
26	25544	26436	27228	27937	28799	29440	30304
28	29709	30746	31668	32492	33494	34240	35245
30	34082	35272	36329	37275	38424	39280	40433
Est. Temp.							
	70°F	115°F	140°F	165°F	190°F	200°F	240°F

Silencer Type

Table 2 groups Silex silencers by silencer type. Determine which models are appropriate for your application based on whether the inlet and/or discharge speeds are above or below transition speeds. If the application has a critical noise specification, use a combination reactive/absorptive model.

Table 2

Pitch Line Velocity	Inlet	Discharge
Below Transition	Class 4	Class 4
	Class 5	Class 5
		Class 6
Above Transition	Class 4	Class 4
	Class 5	Class 5
		Class 6

Pressure Drop

Table 3 sets out the pressure drop coefficients for Silex blower silencers. Use these coefficients in the equations to calculate the silencer pressure drop.

Table 3

Type	Silencer Model	Straight Thru	Side Inlet
Intake Silencers	Class 4	4.20	4.60
	Class 5	4.80	5.30
	Class 7	5.50	6.00
Discharge Silencers	Class 4	4.20	4.60
	Class 5	4.80	5.30
	Class 6	5.20	5.70
	Class 7	5.50	6.00
Absorptive Silencers	Class 4	0.20	-
	Class 5	0.75	-
	Class 6	0.80	-
	Class 7	0.85	-

Pressure Drop

The following formulas may be used to calculate pressure drop through the silencers covered in this catalog.

$$\text{Inlet } \Delta P = \left(\frac{v}{4005} \right)^2 c$$

(assumes silencer inlet is open to atmosphere)

$$\text{Discharge } \Delta P = \left(\frac{v}{4005} \right)^2 c \times \frac{P}{14.7} \times \frac{530}{T}$$

ΔP = Pressure drop through silencer, inches, H₂O

V = Air velocity through silencer, feet per minute

C = Individual Silencer restriction coefficient - empirical constant (See Table 3)

T = Discharge temperature, °R. absolute (operating temperature in degrees F + 460)

P = Discharge pressure, PSIA (operating pressure in PSIG + 14.7)



Silex Inc. Phone 905 612 4000
 6659 Ordan Drive Fax 905 612 8999
 Mississauga, Ontario Web www.silex.com
 L5T 1K6 E-mail info@silex.com