

silex
INNOVATIONS INC.

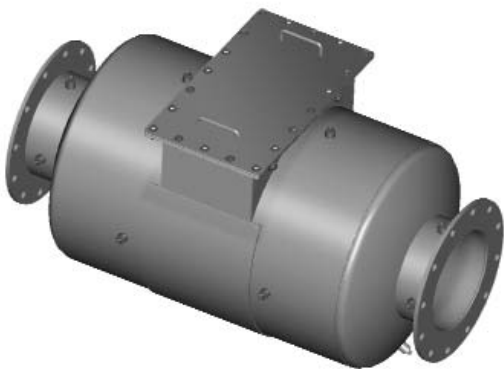
SNX Catalytic Converter

These days, you need all the edge you can get. The market demands it. And anything that saves time, money, space — or all three — is a guaranteed advantage.

That's why Silex designed the **SNX** series — a flexible unit that allows for single or dual cores. The result? Easy and economical compliance with emission regulations. When you need to retrofit your current system to meet changing emission standards for diesel, natural gas, and propane fuel engines, Silex Innovations has the solution for you - The SNX Catalytic Converter. This stand alone system allows you to add either a two or three way catalytic converter to your existing exhaust system with the option of adding 1, 2 or 3 catalytic elements to ensure you meet even the most stringent emission standards.

Features

- *Ideal for engines from 100 hp and over, for applications such as gas compression, power generation, co-generation and pumping.*
- *Inlet sizes available from 6" to 30"*
- *SNX housing can be made from aluminized, carbon or stainless steel*
- *3-way catalytic system for rich burn natural gas engines reduces NOx by up to 99%, CO and HMHC emissions and the 2 way catalyst system reduces CO and HMHC, by converting them into environmentally safe nitrogen, carbon dioxide and the water*
- *Catalytic element built from a stainless steel honeycomb monolith that provides decreased back-pressure, improved engine efficiency and reduced fuel usage*



SNX Catalytic Converter

SNX Features

- Aluminized, carbon or stainless steel construction
- Platinum group metals (PMG) provide high catalytic activity
- Custom designs and configurations available upon request
- Available with 3 way or 2 way Catalyst elements
- Conveniently located 1/2" Test ports (Female NPT Half Coupling)
- One track can house two catalyts.

SNX System Benefits

- Single unit installation
- Shipped ready to install
- Easy access for servicing
- Rugged industrial design
- Bypass of gas around the element is prevented to ensure maximum conversion of pollutants
- Reduced pressure drop



Dimensions

Part No.	Size (Inches)	Dia.	OAL
SNX-6	6	20	44
SNX-8	8	22	44
SNX-10	10	24	48
SNX-12	12	26	52
SNX-14	14	30	58
SNX-16	16	36	8
SNX-18	18	36	56
SNX-20	20	40	56

Call Us

How can you meet the ever-rising demands for cost-effective, reliable emissions compliance?

All it takes is one call for system design and procurement, troubleshooting and complete technical support. Silex is your one source, one supplier stop for all your exhaust and emission control requirements.

For more information on our SNX series — as well as our complete line of emission-control products, simply give us a call.



Silex Innovations Inc.
6659 Ordan Drive, Mississauga
Ontario L5T 1K6

Phone 905 612 4000

Fax 905 612 8999

Email info@silex.com

Web www.silex.com

Lit-0051 06-03
Printed in Canada

800 387 7818