

Silencers - Cylindrical

Silencer Selection

Call Silex for immediate assistance in selecting the appropriate silencer that best suits your application's acoustical and backpressure requirements or consult the silencer selection guide in our catalogue. You can also use Silex's exclusive Silencer Sizing and Selection Program "Silex Digital Engineer" found on the Company's secure website at www.sillex.com.

Application & Performance

The Hospital Grade series are reactive silencers. All of the silencers are manufactured from light to heavy gauge steel and finished with high temperature paint. Flanges are ANSI 125/150# and a drain is included as a standard component on the silencer.

Dimensions

Model	A	B	C	D	F	G	H	Wgt.
JDDS-1.5	1.5	9 (229)	30 (762)	36 (914)	3.5 (89)	7.5 (191)	33 (838)	27 (12)
JDDS-2	2	10 (254)	34 (864)	40 (1016)	4.5 (114)	8.0 (203)	37 (940)	35 (16)
JDDS-2.5	2.5	12 (305)	40 (1016)	46 (1168)	5.5 (140)	9.0 (229)	43 (1092)	51 (23)
JDDS-3	3	14 (356)	44 (1118)	50 (1270)	6.0 (152)	10.0 (254)	47 (1194)	76 (34)
JDDS-3.5	3.5	16 (406)	48 (1219)	54 (1372)	7.0 (178)	11.0 (279)	51 (1295)	96 (44)
JDDS-4	4	18 (457)	54 (1372)	62 (1575)	7.0 (178)	13.0 (330)	58 (1473)	125 (57)
JDDS-5	5	22 (559)	67 (1702)	75 (1905)	9.0 (229)	15.0 (381)	71 (1803)	181 (82)
JDDS-6	6	26 (660)	77 (1956)	85 (2159)	11.0 (279)	17.0 (432)	81 (2057)	330 (150)
JDDS-8	8	30 (762)	95 (2413)	103 (2616)	12.0 (305)	19.0 (483)	99 (2515)	503 (228)
JDDS-10	10	36 (914)	110 (2794)	118 (2997)	14.0 (356)	22.0 (559)	114 (2896)	733 (332)
JDDS-12	12	36 (914)	122 (3099)	130 (3302)	14.0 (356)	22.0 (559)	126 (3200)	814 (369)
JDDS-14	14	40 (1016)	135 (3429)	145 (3683)	17.0 (432)	25.0 (635)	140 (3556)	1382 (627)
JDDS-16	16	45 (1143)	146 (3708)	156 (3962)	19.0 (483)	27.5 (699)	151 (3835)	1932 (876)
JDDS-18	18	50 (1270)	161 (4089)	171 (4343)	21.0 (533)	30.0 (762)	166 (4216)	2782 (1262)
JDDS-20	20	54 (1372)	175 (4445)	185 (4699)	22.0 (559)	32.0 (813)	180 (4572)	3174 (1440)
JDDS-22	22	60 (1524)	189 (4801)	199 (5055)	24.0 (610)	35.0 (889)	194 (4928)	3826 (1735)
JDDS-24	24	64 (1626)	202 (5131)	212 (5385)	26.0 (660)	37.0 (940)	207 (5258)	4438 (2013)
JDDS-26	26	68 (1727)	225 (5715)	235 (5969)	27.0 (686)	39.0 (991)	230 (5842)	5280 (2395)
JDDS-28	28	72 (1829)	258 (6553)	268 (6807)	29.0 (737)	41.0 (1041)	263 (6680)	6245 (2833)
JDDS-30	30	78 (1981)	268 (6807)	278 (7061)	32.0 (813)	44.0 (1118)	273 (6934)	8574 (3889)

*Available in sizes up to 60" inlet

Options

- Aluminized steel, 304, 316 or 316L stainless steel, Corten Steel
- Dual inlet or Custom inlet/outlet configurations
- Thermal insulation blankets to suit all configurations
- Mounting brackets, gussets and lifting lugs available at additional cost

Metric dimensions rounded to nearest mm.

Dimensions and weights are nominal and may vary slightly in production models.

The inlet and discharge on silencers up to 3½" are Sch. 40 NPT pipe. On silencers 4" and larger the inlet and discharge are flanged, manufactured from minimum ½" thick plate and drilled to ANSI 150 lb.

Sillex Innovations Inc.
 Phone 905 612 4000
 Fax 905 612 8999
www.sillex.com

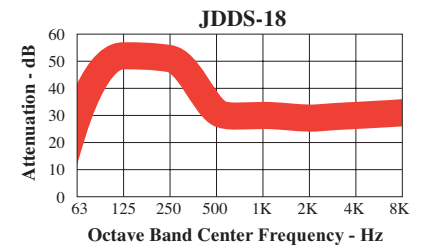
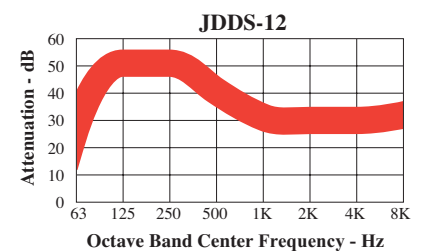
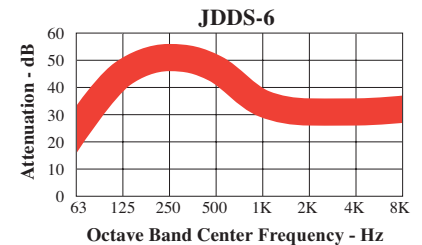
Lit-0034 05-11

JDDS Series

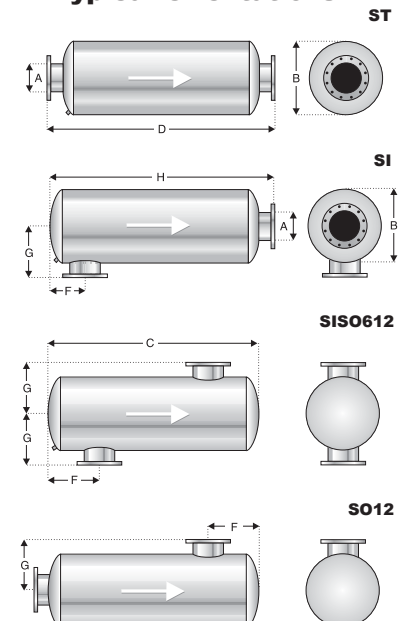
35 - 42 dBA

Hospital Grade

Typical Attenuation Curve



Typical Orientations



800 387 7818